



- **New CLEV-A 9 Pot Garden water tank**
- **New solar and battery power operation**
- **New solenoid action**
- **New automatic watering system**
- **Extra lid ventilation**

**IMPORTANT:** Before setting-up your CLEV-A 9 Pot Garden, position it on level ground to help with the assembly and efficient daily operation. Please refer to the original instructions that came in your CLEV-A 9 Pot Garden carton.

#### FITTING AND OPERATING INSTRUCTIONS

1. Remove the new tank assembly from its carton.
2. Remove the old tank and cable from your CLEV-A 9 Pot Garden.
3. The 'Spider' and 'Saucer' must be clean, free of debris and correctly fitted as shown in **A** opposite.
4. Now fit the new tank and solar panel assembly to your CLEV-A 9 Pot Garden making sure the tank is fitted securely. At first, you may have to press down firmly on the tank assembly to ensure the 4 legs under the tank are engaged in the holes provided on top of the top shell as shown in **B** opposite.
5. Remove the tank cover by holding and lifting the air vents from both sides of the tank cover.
6. Install the batteries by carefully twisting the solar panel cover anti-clockwise and removing it. Insert 2 x AA batteries (1.5 V not supplied) correctly as shown in **C** opposite. Re-fit the solar panel cover by carefully positioning it and twisting clockwise to lock.
7. Fill the water tank to the "FULL" level (11.25L). Close the tank cover correctly by holding both air vents. At this stage, the water release mode is still in operation and water will continue to flow from the tank for a short while and then stop.
8. After about 1 minute, the tank will release another 300 to 400ml of water for about 20 to 30 seconds. This is the test mode for the solenoid. After 9 to 11 minutes, the tank will release water again and stop. This is the test for the temperature and sunlight brightness modes.
9. Once these critical tests are completed successfully, your CLEV-A Garden will be set-up (auto mode) to water your plants 4 times per day depending on the ambient temperature and brightness levels.
10. **Adding Liquid Nutrient:** Remove the tank cover and mix in the correct dilution of organic nutrient. Top up the tank to the 'FULL' level, close the tank cover and you're ready to plant out.

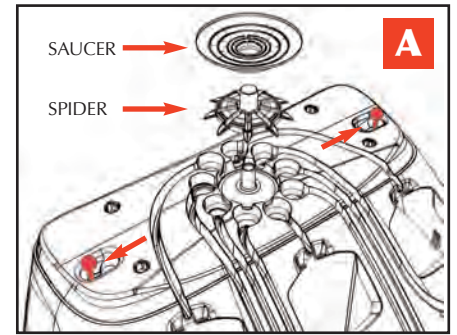
**IMPORTANT:** Every time you remove the cover of the water tank, you MUST re-fill the water tank to the 'FULL' level (11.25L) to re-set the (auto watering) mode. If the tank is not refill to the 'FULL' level the tank will not release the correct amount of water on the next cycles and you will have to re-set the (auto watering) mode by repeating steps 7, 8 and 10.

**IMPORTANT:** If temperature conditions exceed 33 degrees celsius, it is essential to give your plants an extra drink of water as required and spray the leaves with a spray bottle or hose. CLEV-A-Garden is portable but care must be taken when moving it around particularly when the water tank is full.

For best growing results, your CLEV-A 9 Pot Garden should be positioned in a sunny or dappled light area depending on plant choice. The solar panel and automatic watering system has been designed to operate under bright sun light conditions as well as battery back-up power for low light conditions.

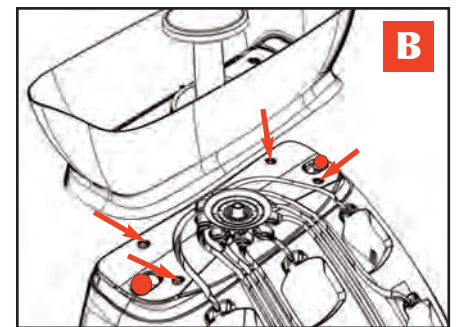
#### FREE WATER SHOOTS BONUS OFFER

To assist with water conservation and to maximise nutrient delivery to each plant, CLEV-A Garden has included a complimentary length of rubber 'U' channel for you to fit which will help deliver water and nutrient to the centre of the pot as shown in **D** opposite.



Make sure both RED Tie Rods are snapped in position on both sides of the top shell. Push the top shell down firmly and pull the Tie Rods up and outwards to lock securely in position as shown above.

Fit the water distribution 'Spider' in the centre of the top shell. Fit the collection 'Saucer' on top of 'spider' securely over centre hole and outer rim of the 'Spider'.



Fit the new tank to the top shell securely by locating it with the 4 position legs on the bottom of the tank. When you have positioned the unit for growing, fill the tank with the desired water and nutrient mix and close the tank lid.



#### Water Shoot Instructions

After you've completed planting out, simply cut nine 40mm lengths of 'U' channel and slide one between each pot and under the lip of each water channel outlet as shown below.



CLEV-A Garden Ltd. Unit 2, 84 Callaway Street, Wangara, Western Australia 6065.  
Phone 1300 184 720 www.clevashop.com